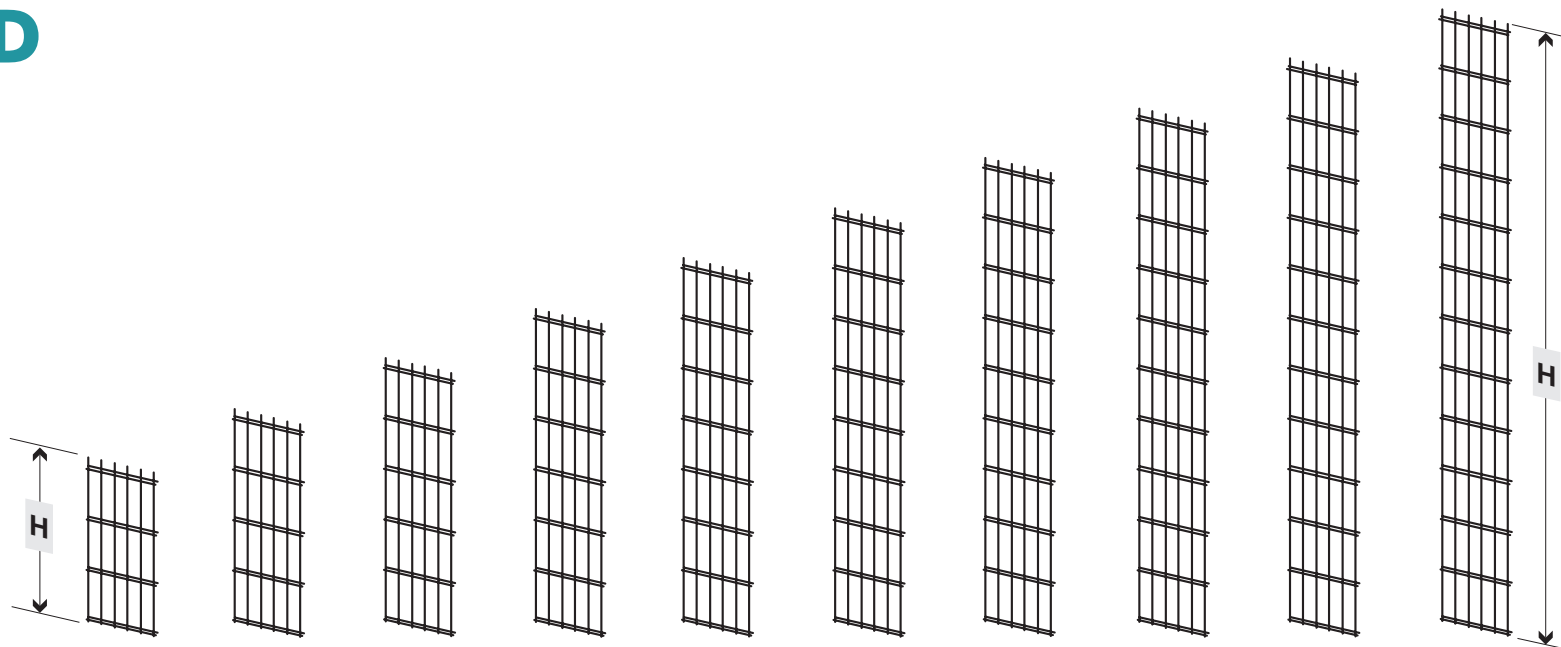




Panel fencing system 2D 5/5/5



TYPE 2D

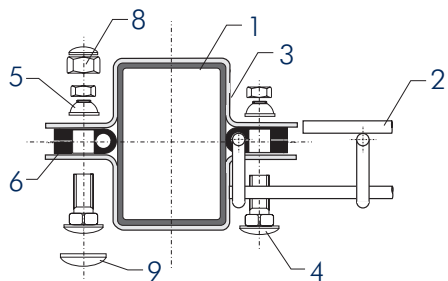


Panel height	630	830	1030	1230	1430	1630	1830	2030	2230	2430
Horizontal bars	8	10	12	14	16	18	20	22	24	26
Post height	1000	1200	1600	1800	2000	2200	2400	2600	3000	3200

TYPE A

fastening with a 40×60 assembly bracket

cross section A-A:



legend:

1. post 40×60×2.0×H [mm]

2. fencing panel

3. assembly bracket 40×60

4. coach bolt M8×25/A2

5. sheer nut /A2

6. distance holder /PE-H

7. topping cap /PE

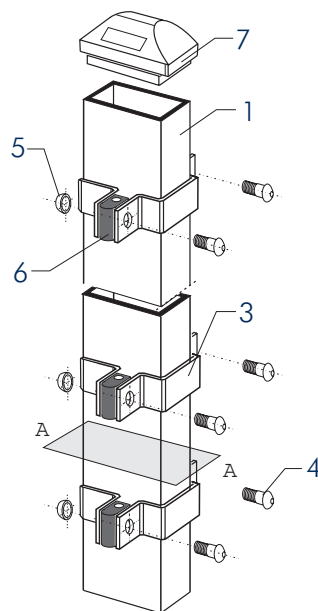
options:

8. bolt covering cap /PE

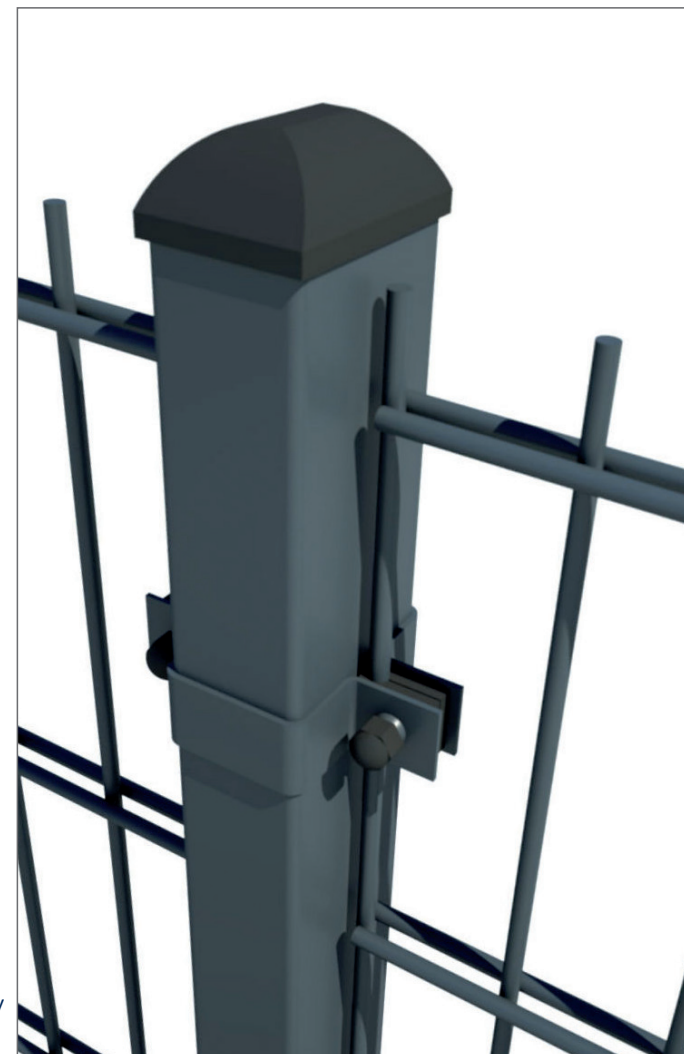
9. nut covering cap /PE

axonometry:

center spacing: 2,58 m



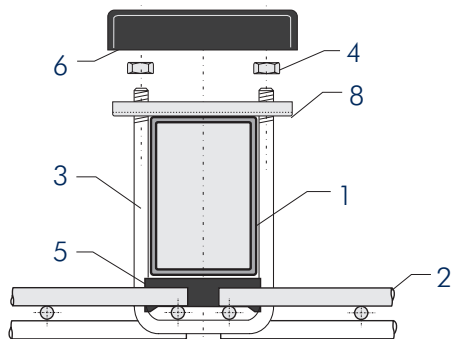
Number of assembly brackets in accordance with table for version 2V/3V/4V
Minimum number of brackets with sheer nuts - 2 sets./post



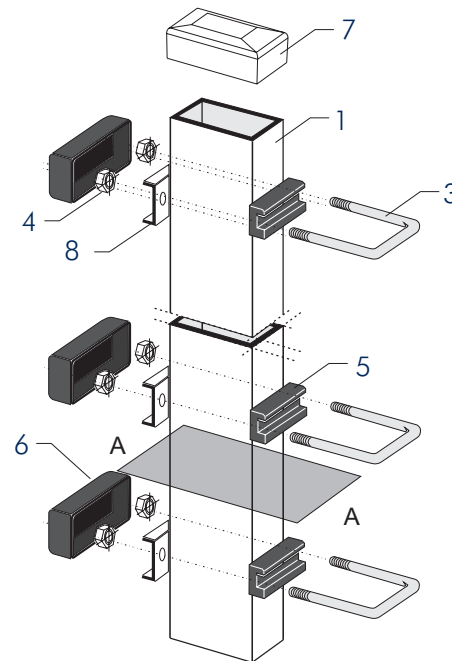
TYPE B

fastening with a 40×60 assembly bracket

cross section B-B:

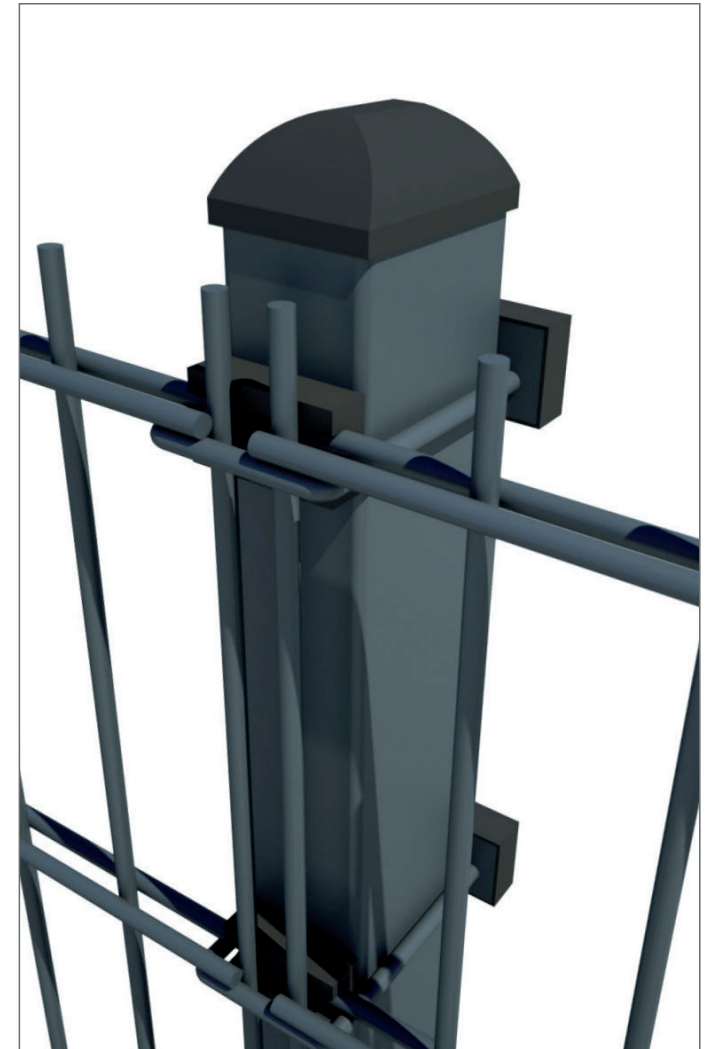


axonometry:



legend:

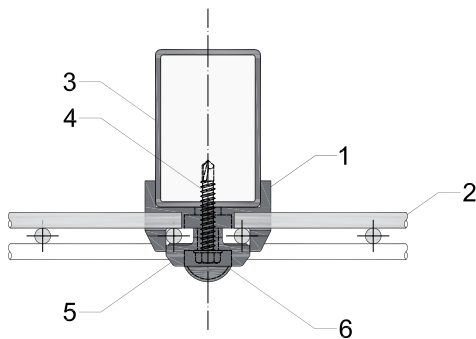
- 1. post 40×60
- 2. fencing panel
- 3. assembly bracket 40×60 U-BF
- 4. hex nut M6
- 5. anti-vibration distance holder /PE
- 6. cover /PE-H
- 7. topping cap /PE
- 8. bracket clamp /FE



TYPE C

fastening with a 40×60 assembly bracket

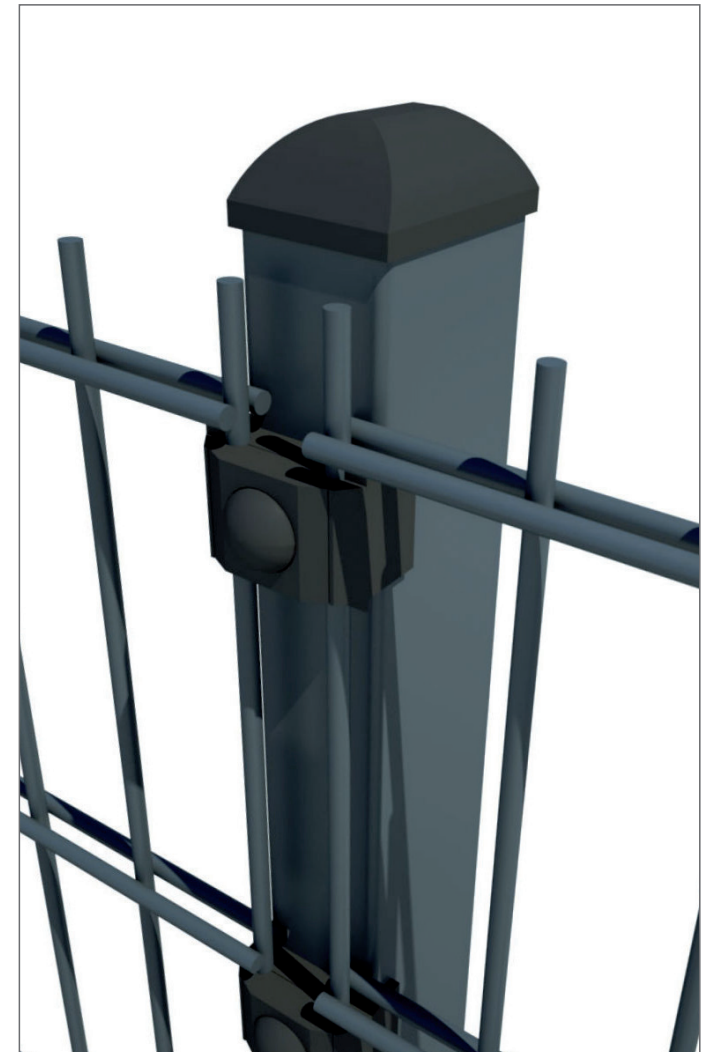
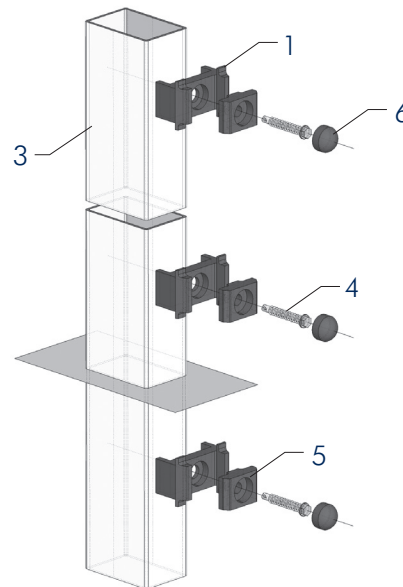
cross section B-B:



legend:

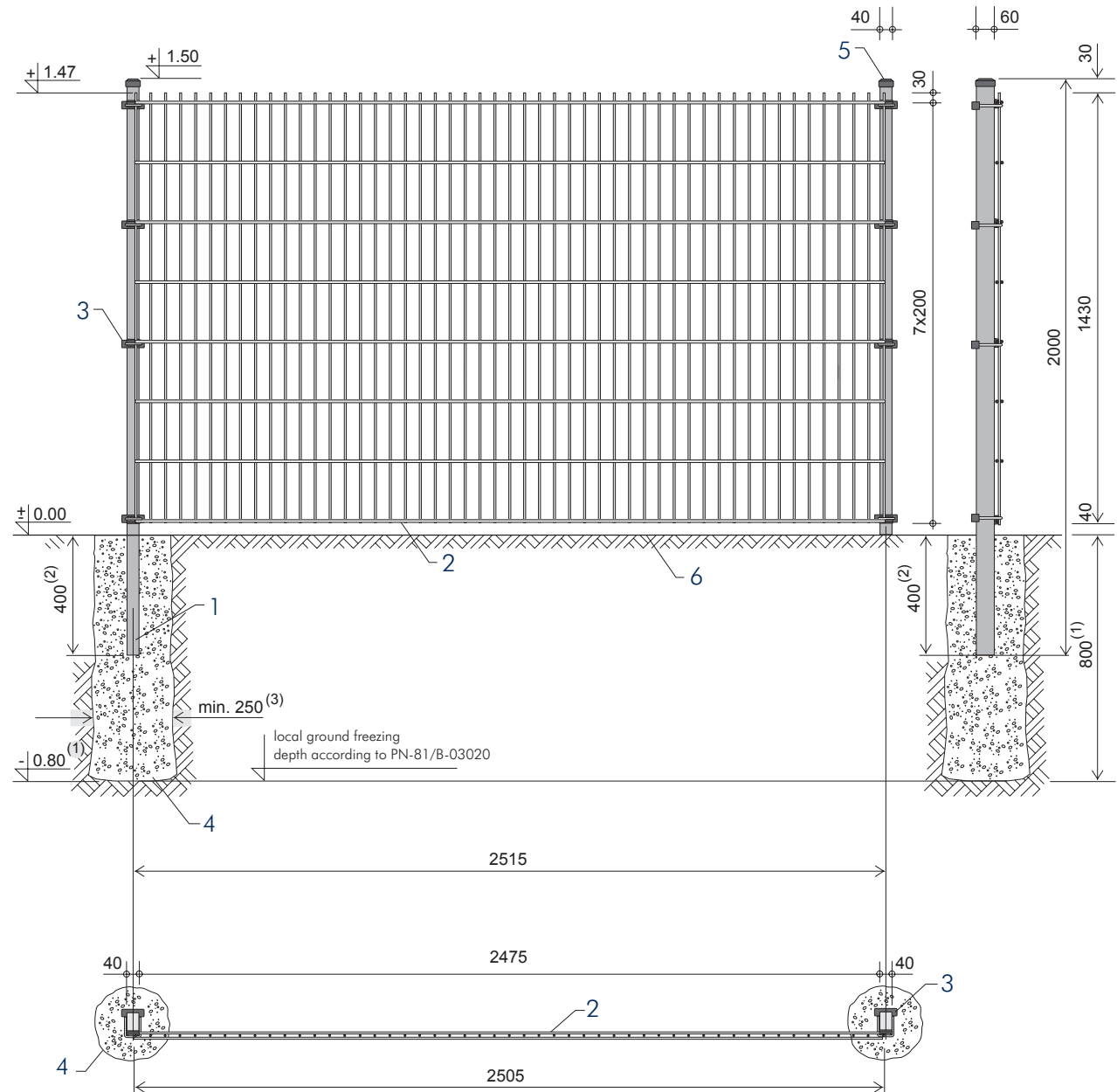
- 1. base
- 2. fencing panel
- 3. post 40×60
- 4. sheet metal screw
- 5. clamp / cover
- 6. topping cap

axonometry:



TYPE A

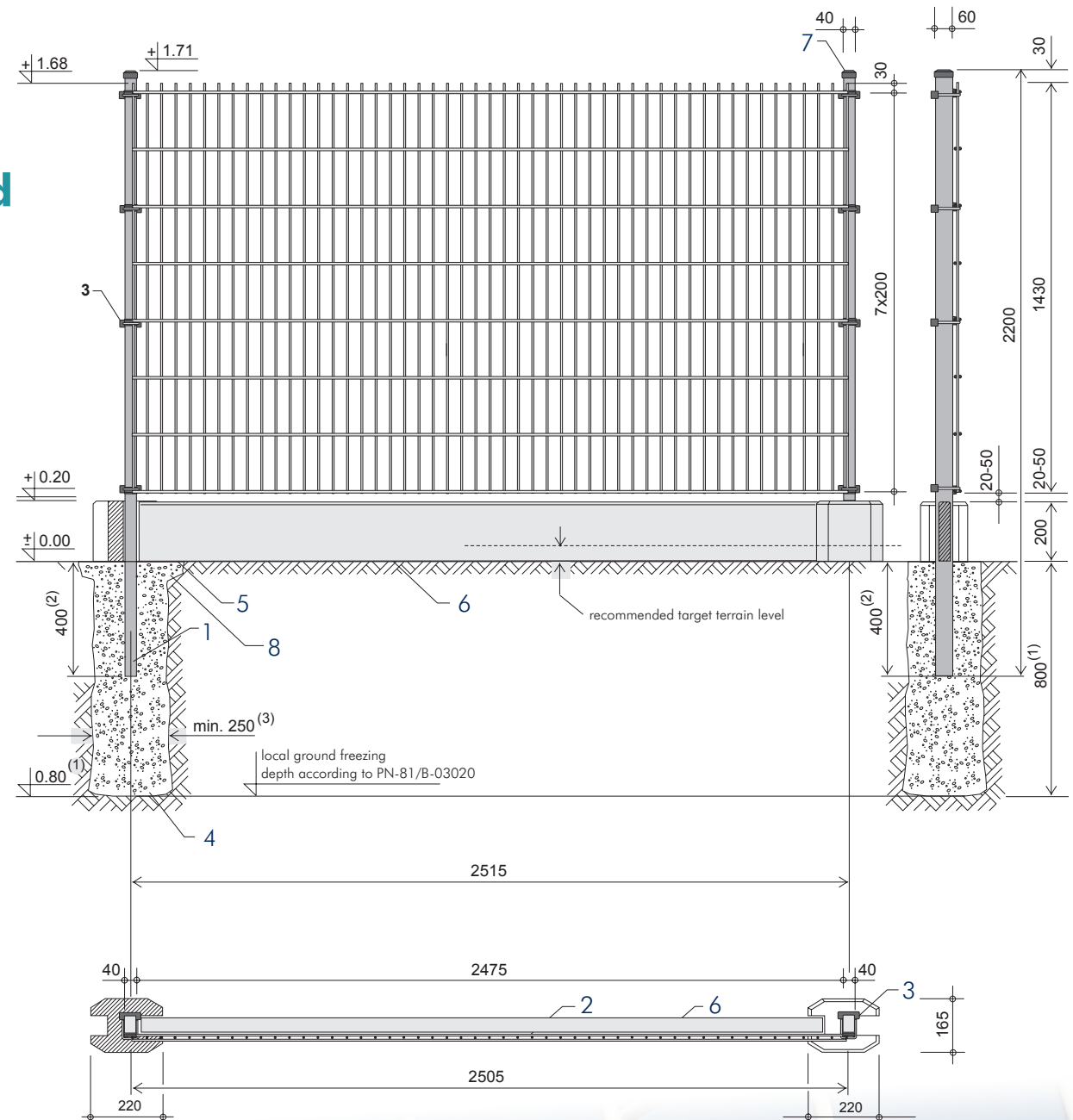
direct / point foundation



- 1 – post 40×60×H-2000
- 2 – panel
- 3 – mounting system – assembly bracket 40×60
- 4 – post's point foundation from monolithic concrete
- 5 – post cap made from elastic frost-resistant PE plastic
- 6 – ground level

TYPE B

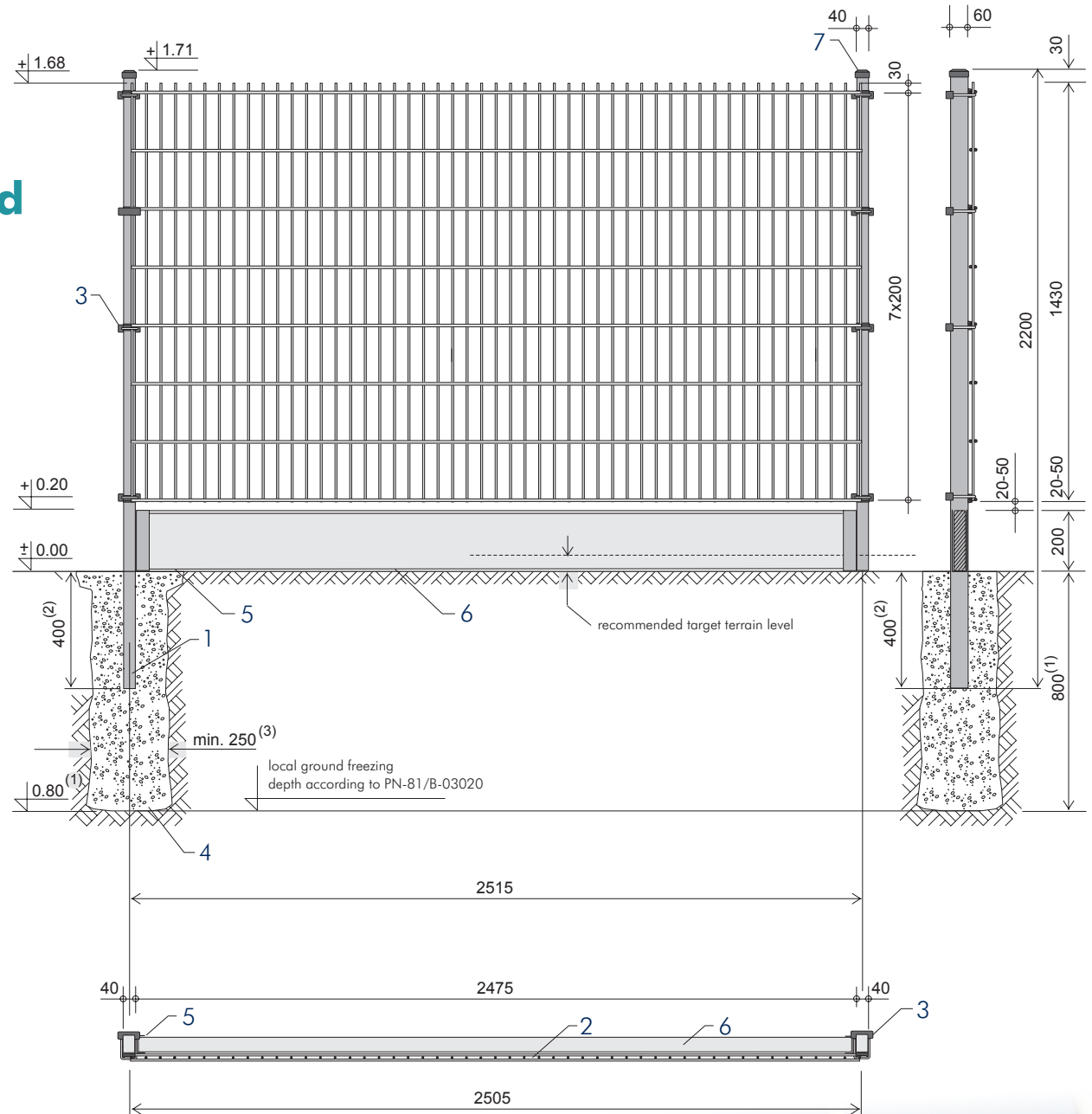
foundation on a prefabricated CB-2 type upstand



- 1 – post 40×60×H-2200
- 2 – panel
- 3 – mounting system – assembly bracket 40×60
- 4 – post's point foundation from monolithic concrete
- 5 – connector (intermediate)
- 6 – upstand slab
- 7 – post cap made from elastic frost-resistant PE plastic
- 8 – concrete pads under the connector's surface

TYP C

foundation on a prefabricated CB-3 type upstand



- 1 – post 40×60×H-2200
- 2 – panel
- 3 – mounting system – assembly bracket 40×60
- 4 – post's point foundation from monolithic concrete
- 5 – slab landing (col), galvanized steel
- 6 – upstand slab
- 7 – post cap made from elastic frost-resistant PE plastic

HOT-DIP GALVANIZING

EN-ISO 1461

Elements of the GROWMAT panel fencing system:

panels, posts, brackets and assembly laths feature corrosion protection using a zinc coating applied through a hot-dip galvanizing process, strictly as per the EN-ISO1491 (DIN50976) norm.

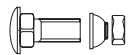
As a result of the hot-dip galvanizing process (molten zinc bath in a temp. of 440-460°C) diffusion occurs on the surface of the galvanized element, i.e. steel and zinc together create a zinc-steel coating, on which a layer of pure zinc is built up.

DUPLEX

EN-ISO 12944-5

The DUPLEX system anti-corrosion measure involves application of a specially prepared paint coating onto a previously prepared zinc coating. The GROWMAT DUPLEX system's coating is a polyester based powder lacquer applied via the electrostatic method. Preparation of the steel's galvanized surface is the most significant element which influences the durability of the painted coating. Aware of that fact, we incorporate abrasive blasting or blast-processing, which enables achievement of the highest adhesion level of the painted coating, and as a result, its highest quality.

A2

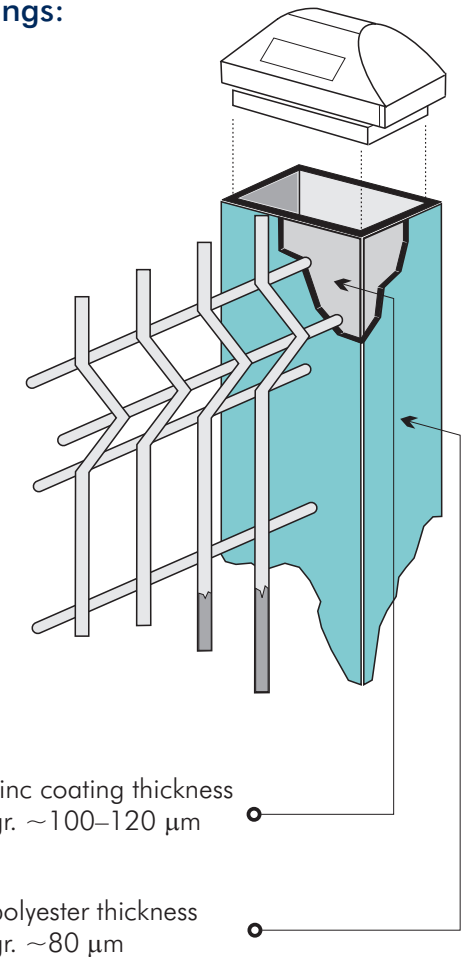


all connection elements, i.e. the M8×25/80 coach bolt, nuts (shear and hex nuts) made from A2 grade stainless steel

RAL

Standard color palette: RAL 6005/RAL 8017/RAL 5010/RAL 7030/RAL 9005/RAL 9010

coatings:



1. EXTENSION (OFFSET ARM)

The option of equipping the 40x60 panel post with an extension makes it possible to even more effectively increase the security of the fenced off area or facility. It is available in:

- a single or double version;
- located on the inside or outside of the fencing;;
- possibility of custom filling with a fencing panel or barbed wire in 1, 2 or 3 rows.

2. NOTES

2.1) Fencing panels intended for fencing off the premises of schools, kindergartens, bus stops and other areas are recommended to be carried out according to a special order, which involves the removal of upper ends of the wires (comb), thereby preventing the possibility of injury of persons who may attempt to improperly cross over the fencing.

2.2) In the event of installing fencing panels on sections with a length of <2,5m, we shorten them at the place of installation (the building site). The panel cutting process is performed using shears (enabling the cutting of bars to 8 mm). The panel is shortened modularly every 50 mm, as close as possible to the weld. Cut bars are secured with a lacquer touch-up in a specified color.

3. INDIVIDUAL SOLUTIONS

The fencing panel system enables custom development in the form of:

- dog pens;
- waste bin enclosures;
- ball-catchers (fencing >2,56 m, composed of double panels);
- temporary fencing of construction sites.

